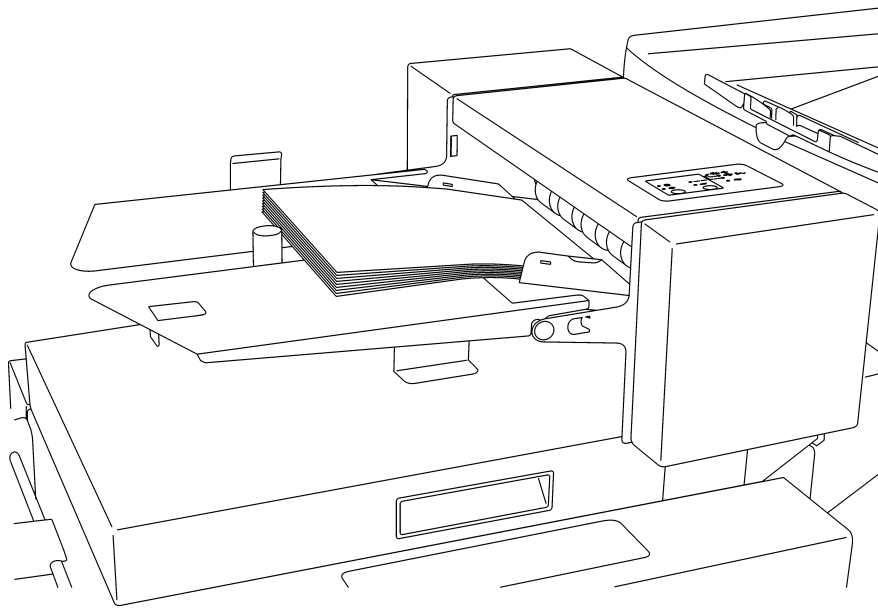


---

# ***Spare Parts List***

## ***SR85 COVER FEEDER***



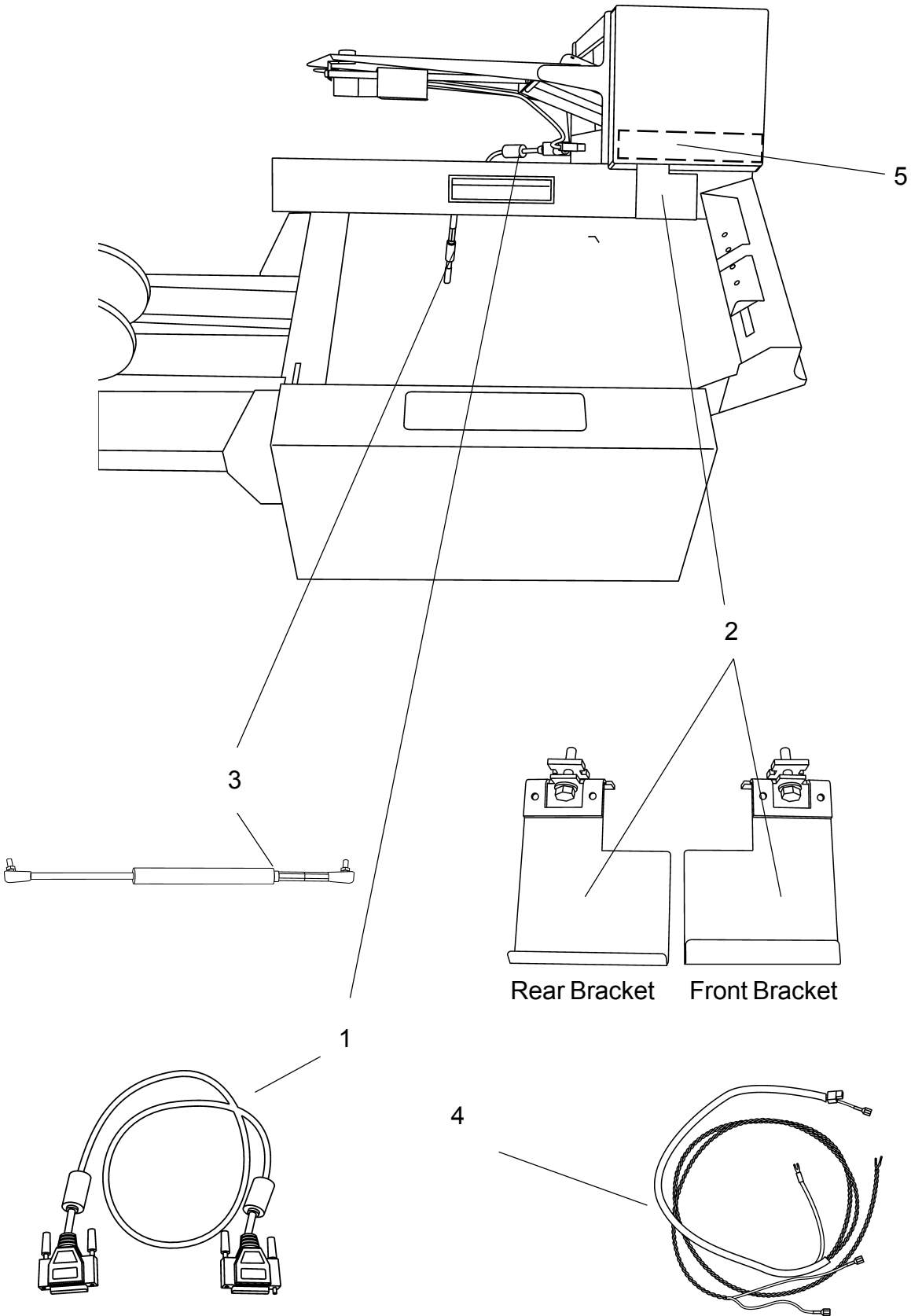


## Contents

Front view	1-1	Oktober 2001
Vertical transport area	1-3	Oktober 2001
Feed roller assembly	1-5	Oktober 2001
Bin extension plate assembly	1-7	Oktober 2001
Rear view	1-9	Oktober 2001
PCB and Panel	1-11	Oktober 2001

# Front view

---



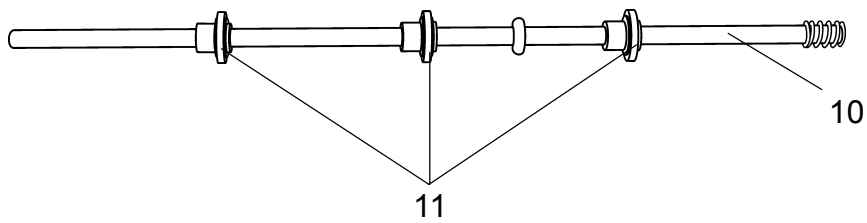
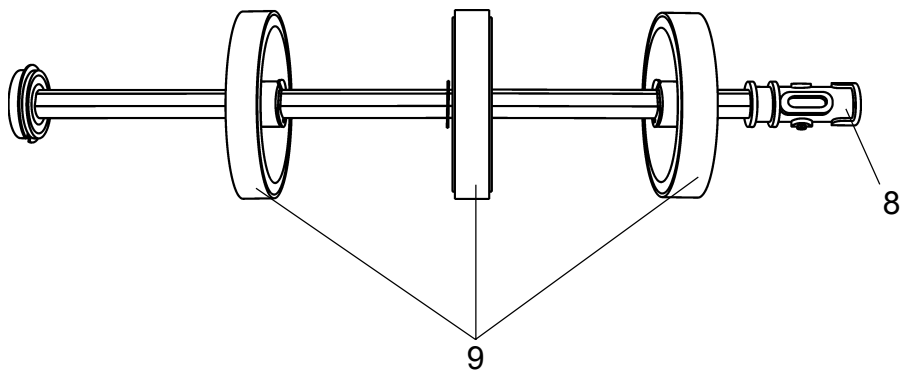
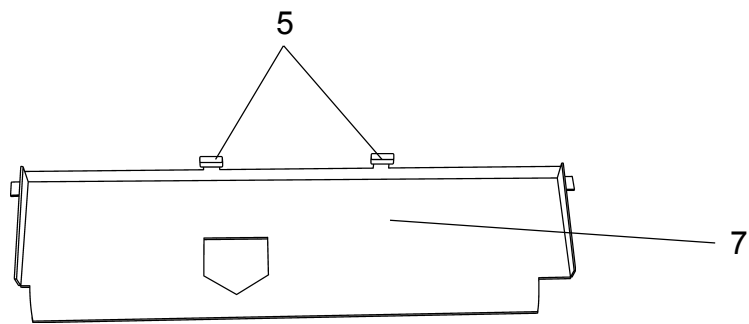
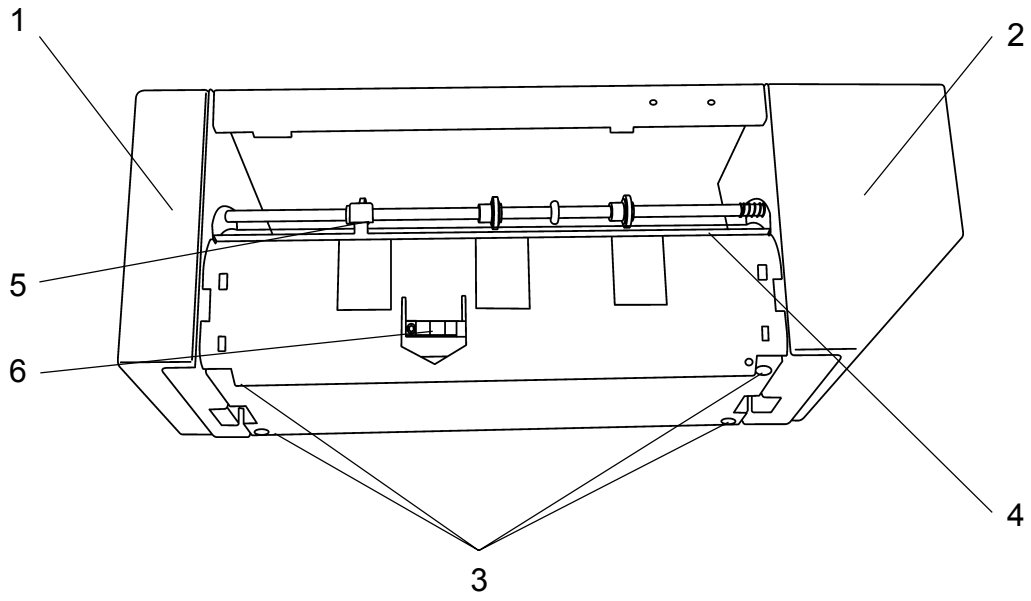
## Front view

---

Item	Part no.	Qty.	Description	Note
1	PL761101	1	Communication cable	
2	PL761102	1	Installation brackets	incl. Bolts and Washers
3	PL75889	1	Gas spring	Shorter than Original
4	PL760202UL		Power supply harness	
5	75939-UL		DFD calibration strip	Located inside the front cover

# Vertical transport area

---

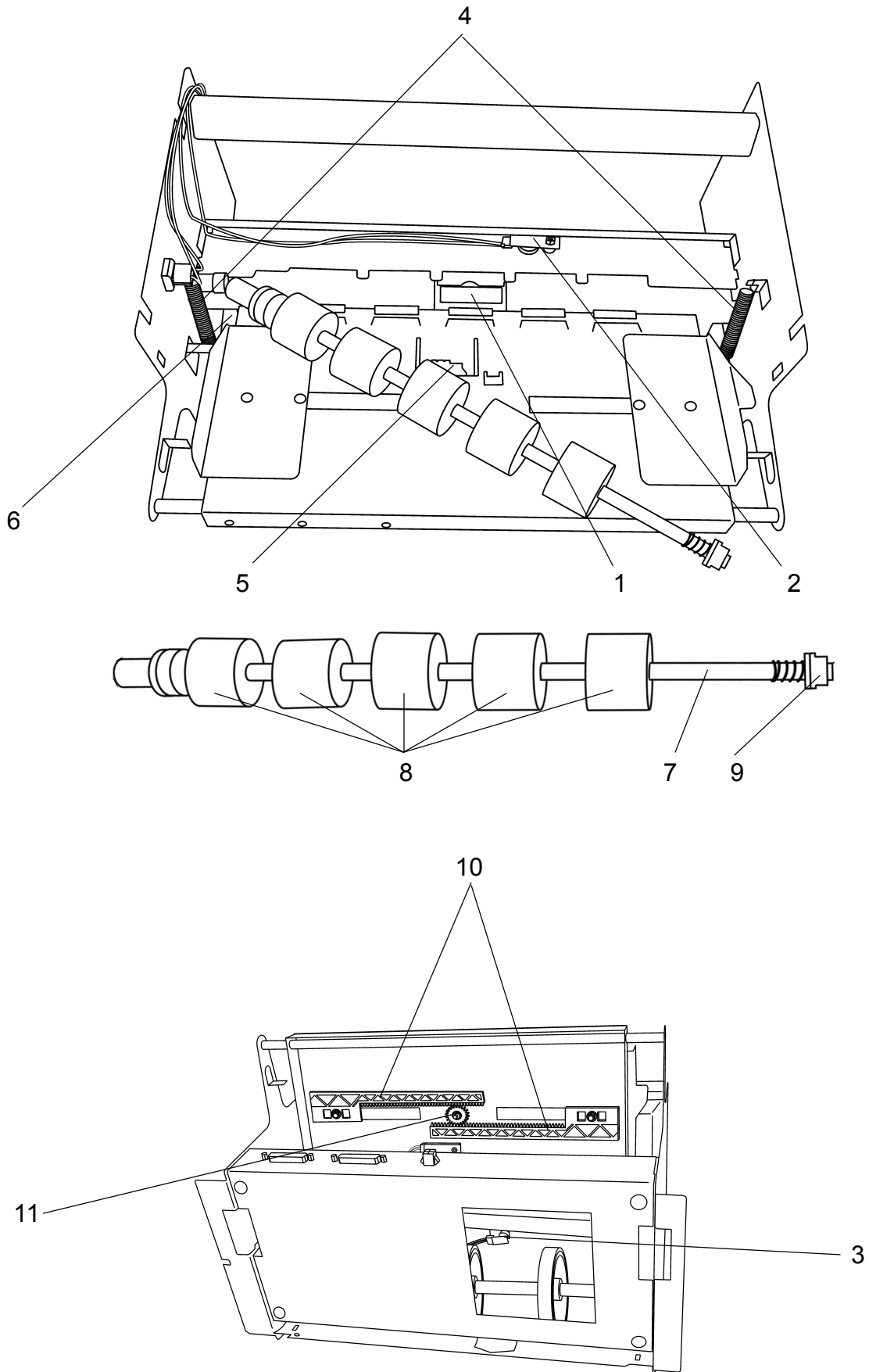


## **Vertical transport area**

---

<b>Item</b>	<b>Part no.</b>	<b>Qty.</b>	<b>Description</b>	<b>Note</b>
1	PL7585636	1	Front cover	
2	PL7585536	1	Rear cover	
3	PL91303	4	Rubber pads	
4	PL761108	1	Upper paper path	
5	PL56663	3	Plastic handle	
6	PL96133	1	Outfeed Sensor	Q4
7	PL761109	1	Jam clearance baffle	
8	PL760176	1	Drive shaft assembly	incl. Item 9
9	PL55254	3	Tire	
10	PL760177	1	Pinch roll shaft assembly	incl. Item 10
11	PL55252	3	Foam roll	

# Feed roller assembly





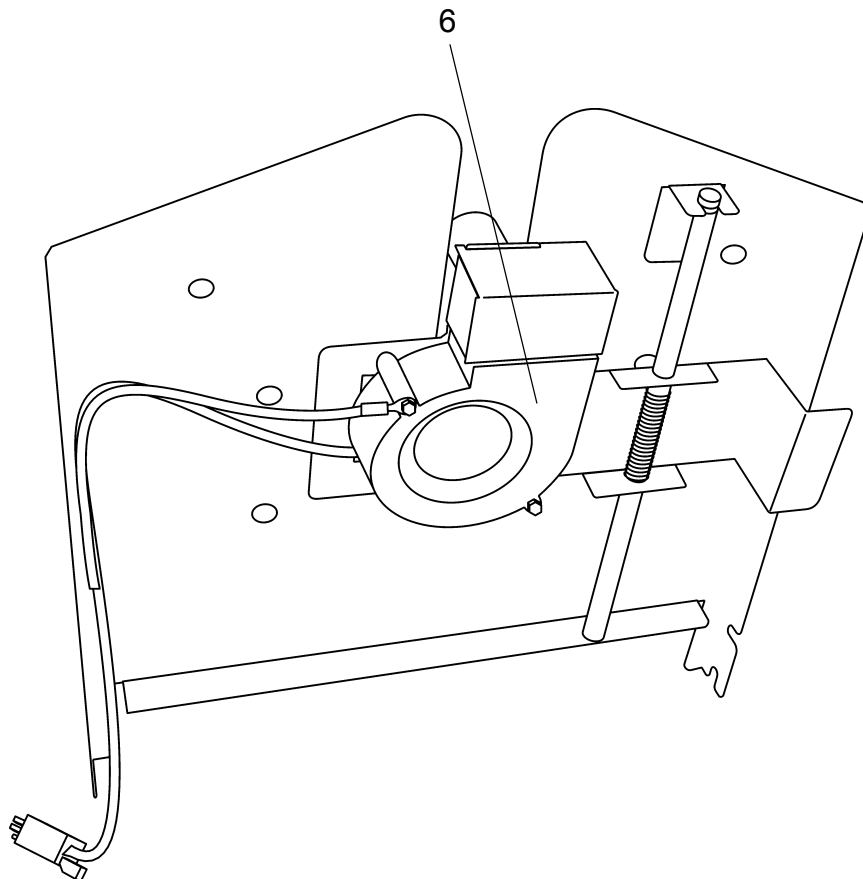
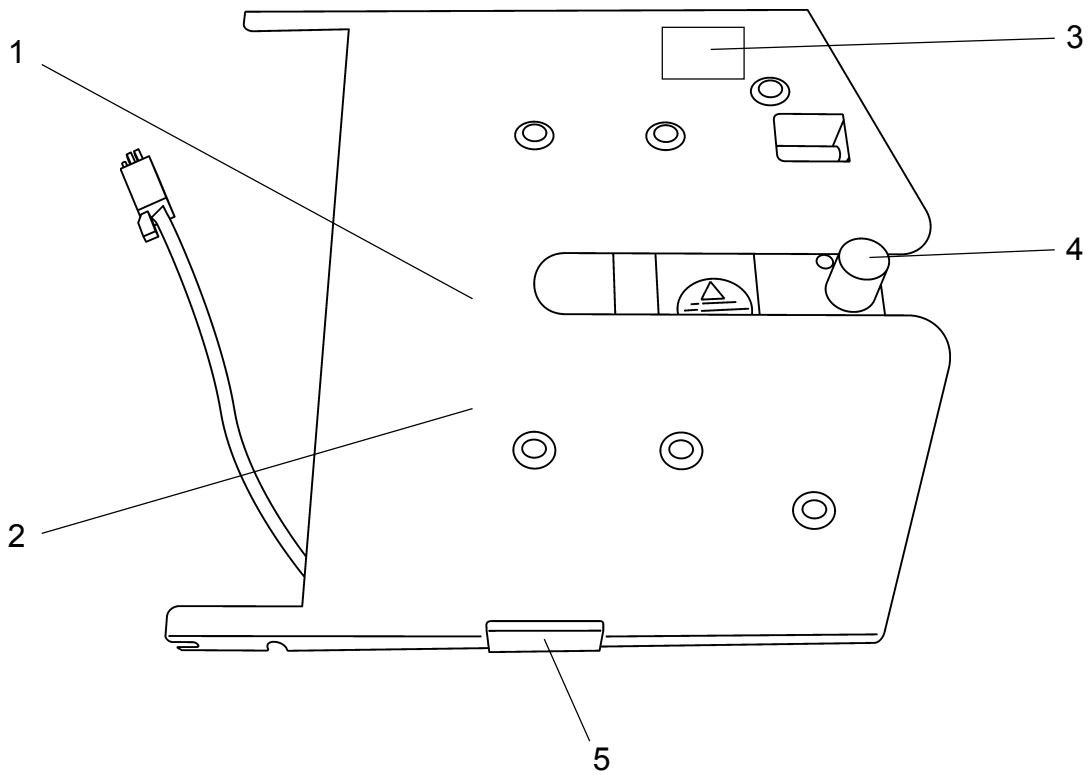
## **Feed roller assembly**

---

Item	Part no.	Qty.	Description	Note
1	PL90065	1	Paper separator pad	
2	PL761103	1	Photo transistor assembly	Q3
3	PL761104	1	LED assembly	Q3
4	PL90170	2	Spring paper bin	
5	PL96133	1	Sensor, empty bin	Q1
6	PL75885	1	Switch activator	
7	PL760174	1	Feed roller assembly	incl. Item 8, Item 9
8	PL90424	5	Feed roller	
9	PL90146	1	Bushing	
10	PL90810S	2	Gear rack	
11	PL20602	1	Sprocket	

# Bin extension plate assembly

---

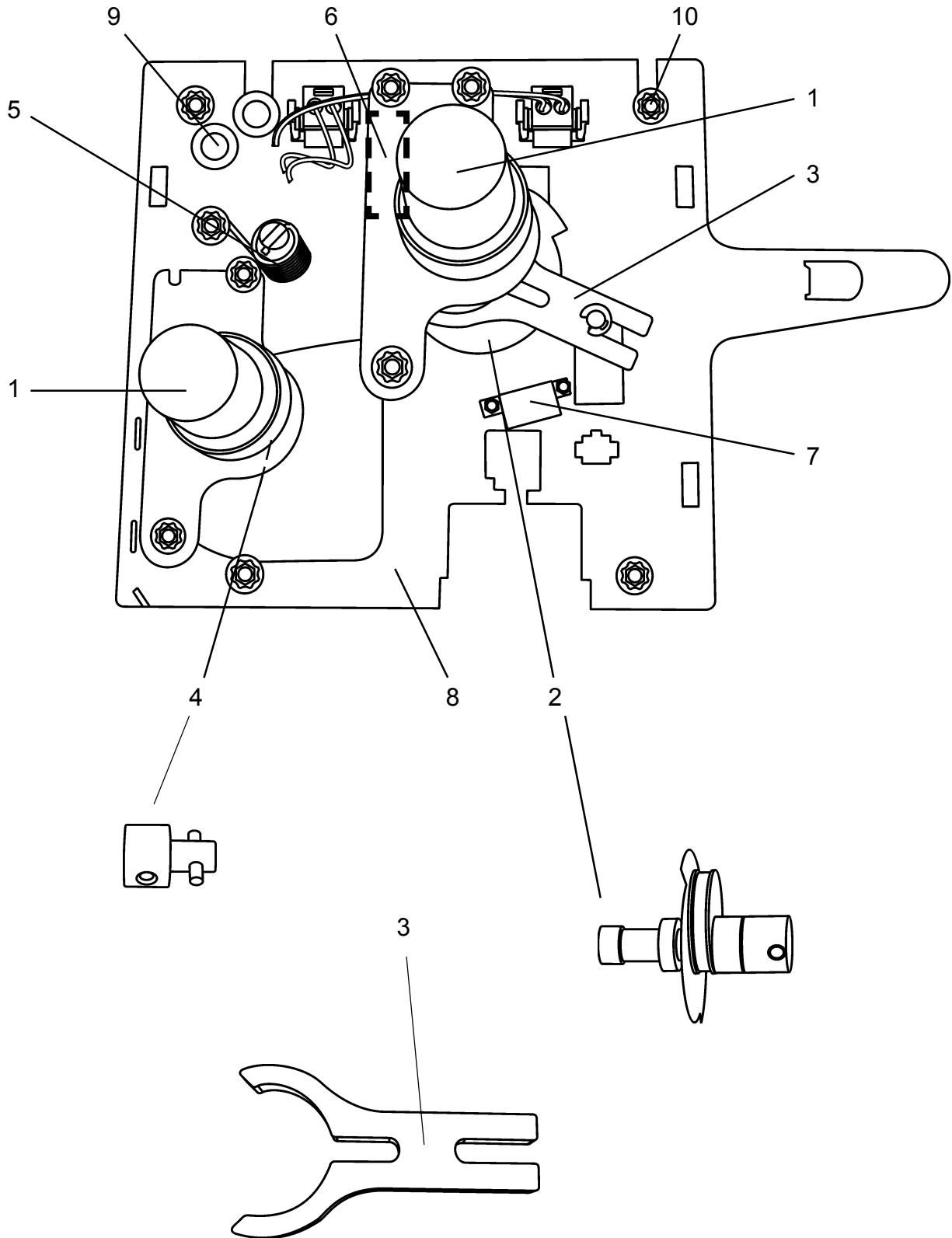


## **Bin extension plate assembly**

---

Item	Part no.	Qty.	Description	Note
1	PL761105	1	Bin extension plate assembly	incl. Item 2, Item 3, Item 4, Item 5, Item 6
2	PL761106	1	Bin extension plate	
3	PL75906	1	Paper orientation label	
4	PL761107	1	Air nozzle	incl. spring
5	PL7588436	1	Paper stop	
6	PL760206	1	Paper blower motor	M3

**Rear view, cover removed**



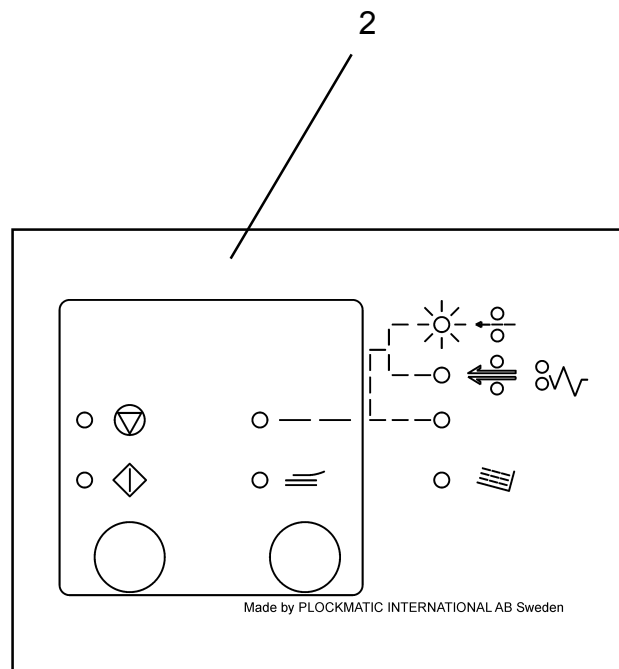
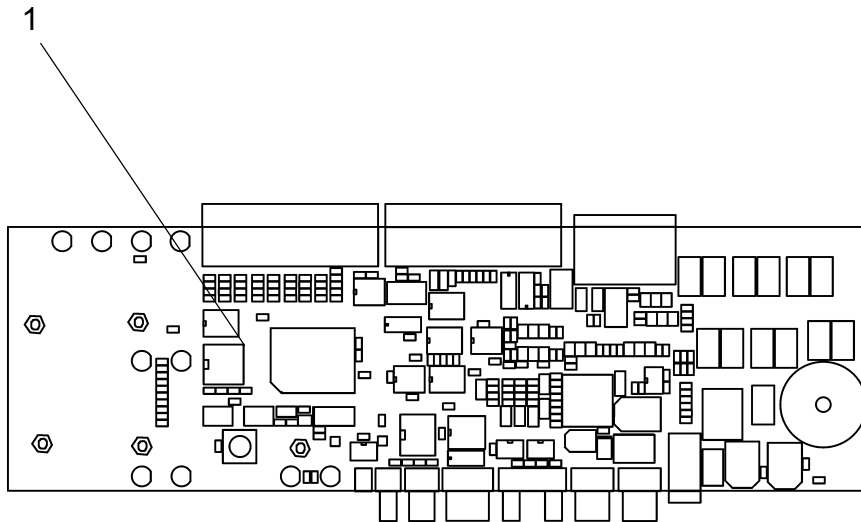
## **Rear view, cover removed**

---

Item	Part no.	Qty.	Description	Note
1	PL760207UL	2	Motor (Drive and Bin)	M1 & M2
2	PL761110	1	Bin motor roller clutch assy	
3	PL75865	1	Bin motor push rod	
4	PL760179	1	Drive clutch	
5	PL75886	2	Spring upper paper path	Same location on front side.
6	PL960217AUL	1	Sensor paper bin home position	Q2
7	PL960219AUL	1	Sensor, low bin	Q5
8	PL760203UL	1	Motor harness	
9	PL760201UL	1	Sensor harness	
10	PL761111	-	Bolt	

# PCB and Panel

---



## **PCB and Panel**

---

Item	Part no.	Qty.	Description	Note
1	PL761112	1	Controller / Driver PWB	
2	PL761113	1	Panel	